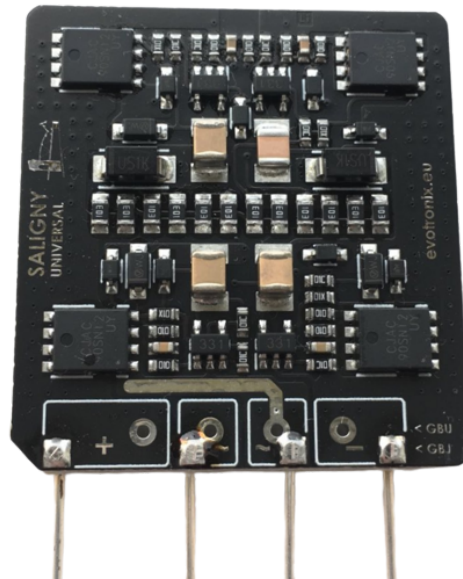


Saligny® Universal



May 14th, 2022

Design by: eng. Tiberiu Vicol
PCB by: Catalin Nica

DESCRIPTION

Saligny Universal is a diode-less bridge rectifier employing modern MOSFETs. The result is an active bridge that replaces the four diodes in a full-wave bridge rectifier with a mili-ohm $R_{ds(on)}$ MOSFET, to drastically reduce power dissipation, heat generation, voltage loss and diode on/off switching noise. In contrast with a diode, there is no P-N junction involved, only a low mili-ohm conductive channel inserted in the power path. This allows big current capability, better power management, less power loss, less dynamic impedance change versus load current and better circuit performance than any available rectifier solution.

While a normal diode has at least 600mV drop at 1A, a low $R_{ds(on)}$ MOSFET will have as little as 3mV, or less, at the same 1A. This is 200 times better than a PN diode and at least 100 times better than a Schottky diode.

For more information see <https://evotronix.eu/>

APPLICATIONS

- Ultra low noise power supply
- Top performance high-end audio
- Power-over-ethernet devices
- Polarity-agnostic input devices
- Diode bridge replacement

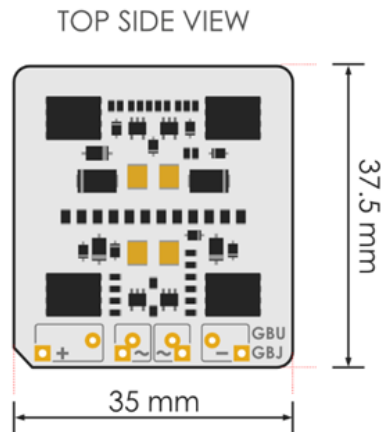
FEATURES

- Smaller solution size – Saligny Universal offer small footprint/watt
- Maximizes power efficiency
- Maximizes available voltage and current
- Eliminate power thermal design problems
- No need for a heatsink
- Zero switching noise
- No secondary ringing in the transformer like PN or Schottky diodes
- If power source fails or is shorted a fast turn-off minimizes reverse current transients

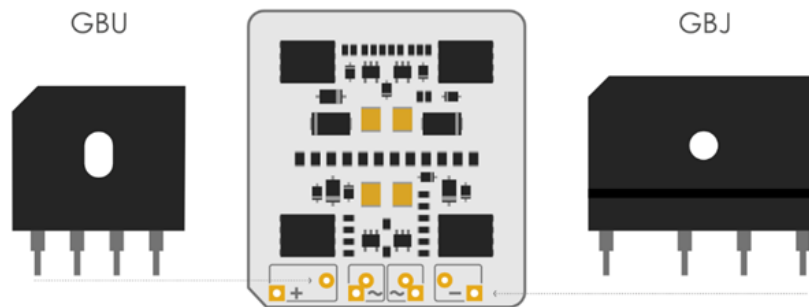
SPECIFICATIONS

- Operates from DC to 1000Hz
- AC operating voltage: from 6 Vac to 80 Vac
- DC operating voltage: from 12 Vdc to 110 Vdc
- Low quiescent current = 9 mA
- Continuous load current up to 20A
- Over 200A pulsed current at $T_a = 25$ Celsius (Max $R_{\theta jc} = 1.0C/W$, pulse duration ≤ 100 μs , duty cycle $\leq 1\%$)
- No output capacitor required, but recommended
- Support center tapped transformer

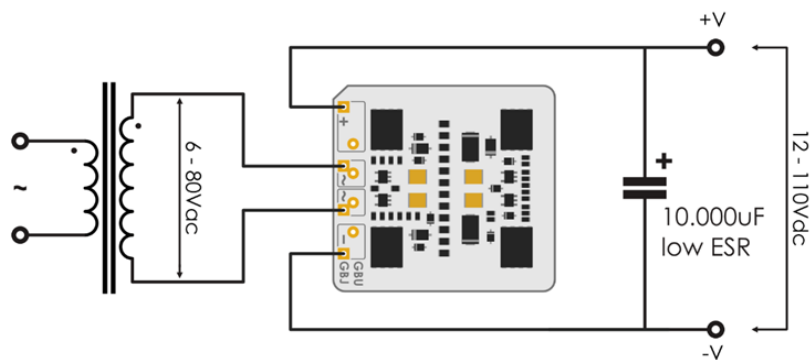
DIMENSIONS & PINOUT



Salinity Universal is pin and mechanical compatible with GBU and GBJ packages.



CONNECTIONS

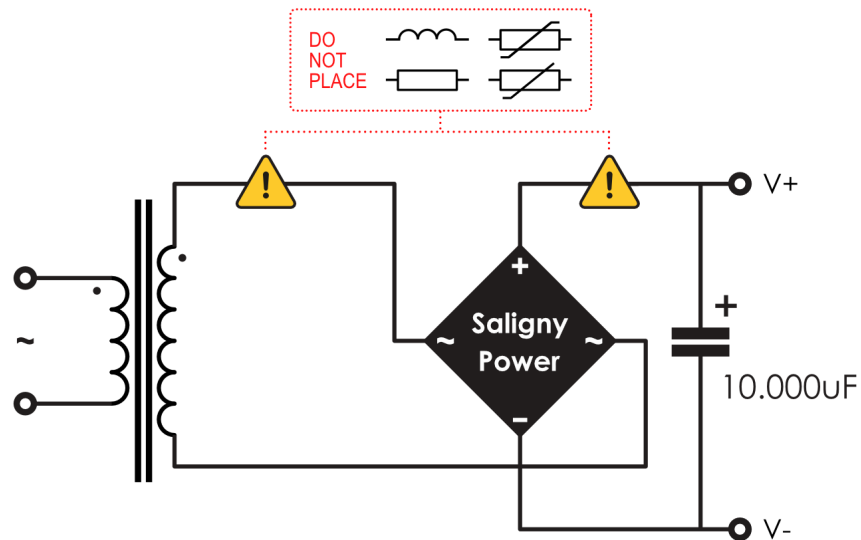


For more information see <https://evotronix.eu/>

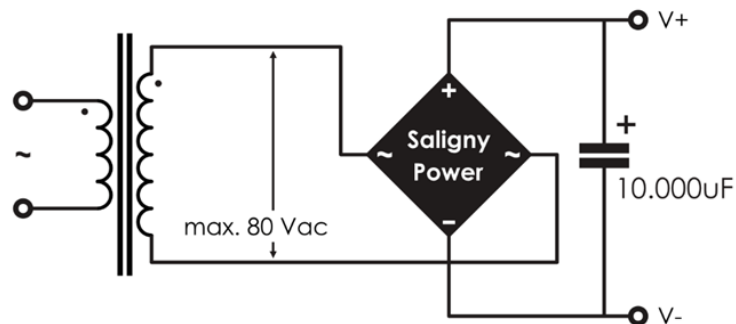
IMPLEMENTATION



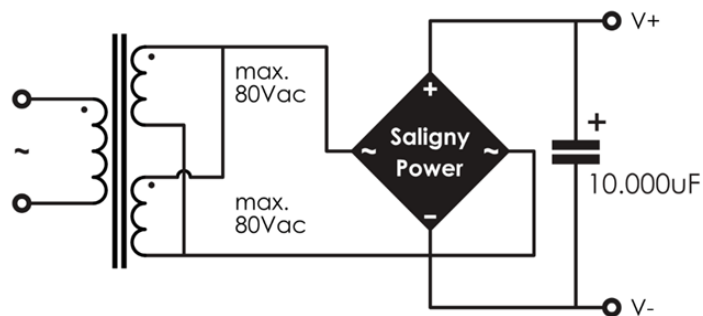
Important notice: Do not place any inductor, resistor, varistor or thermistor before or after Saligny Bridge! This will affect the performance of Saligny Bridge.



Variant A - full wave single secondary rectification.



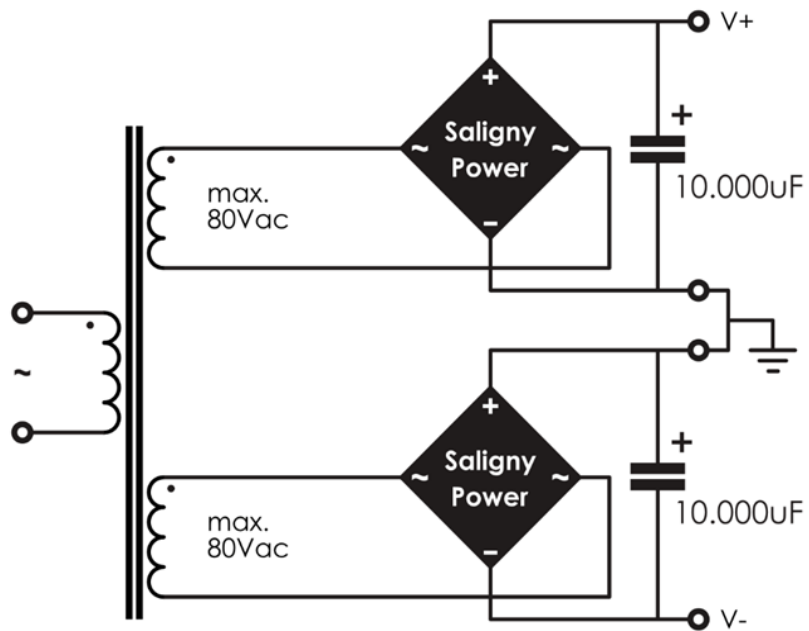
Variant B - full wave dual identical secondaries in parallel.



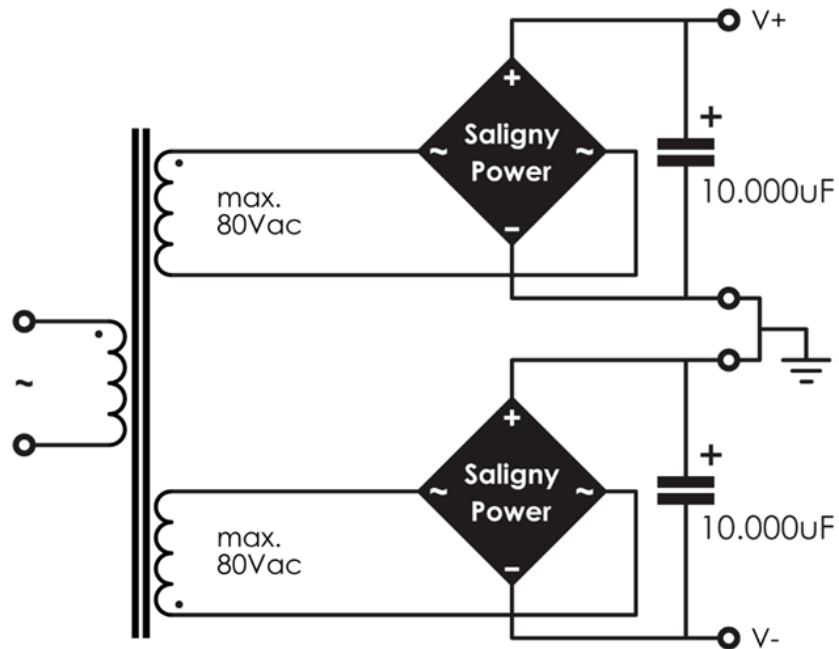
For more information see <https://evotronix.eu/>

Variante C - Full wave rectification, for differential power supply, with two secondaries.

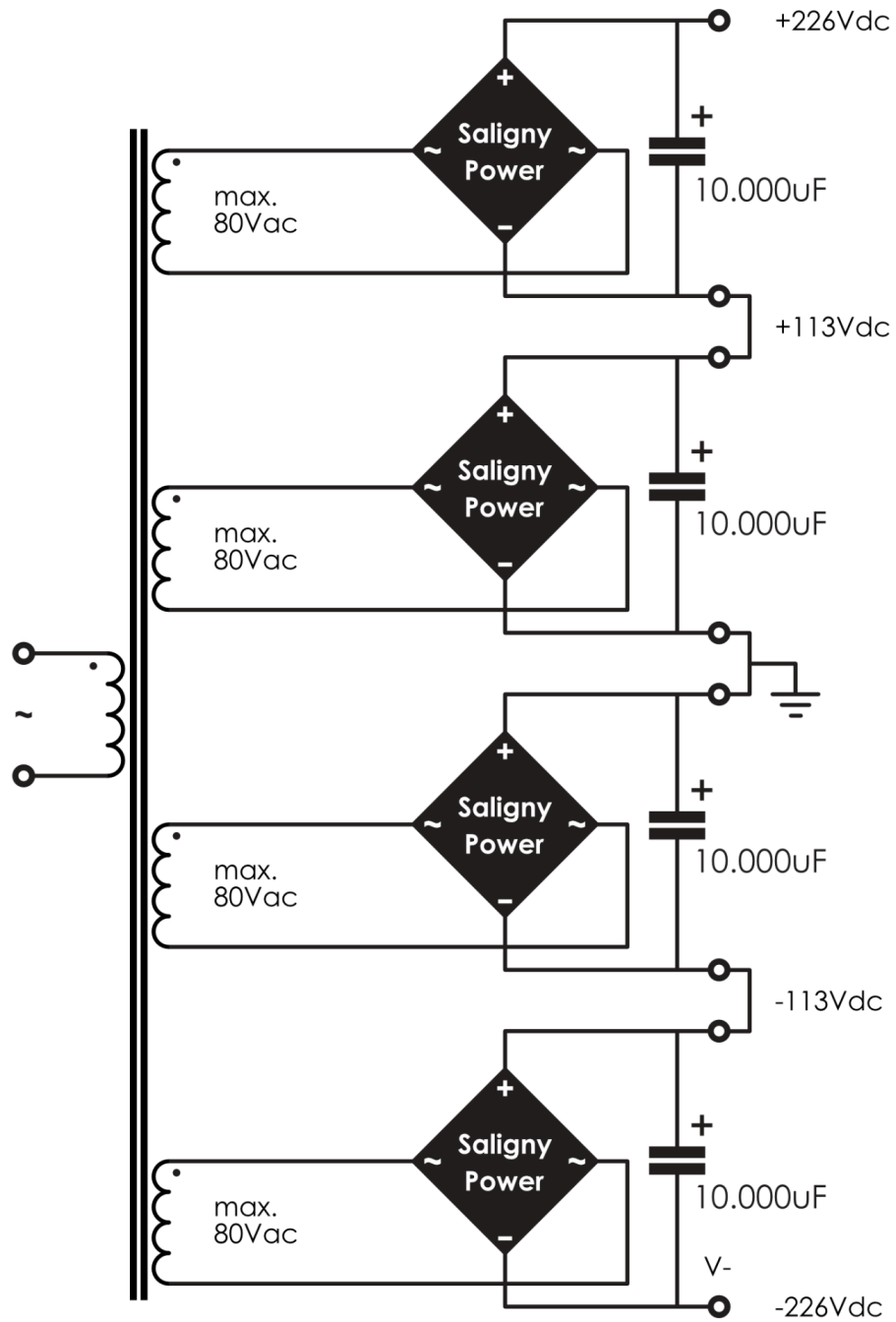
1. secondaries are in phase



2. secondaries are in anti-phase

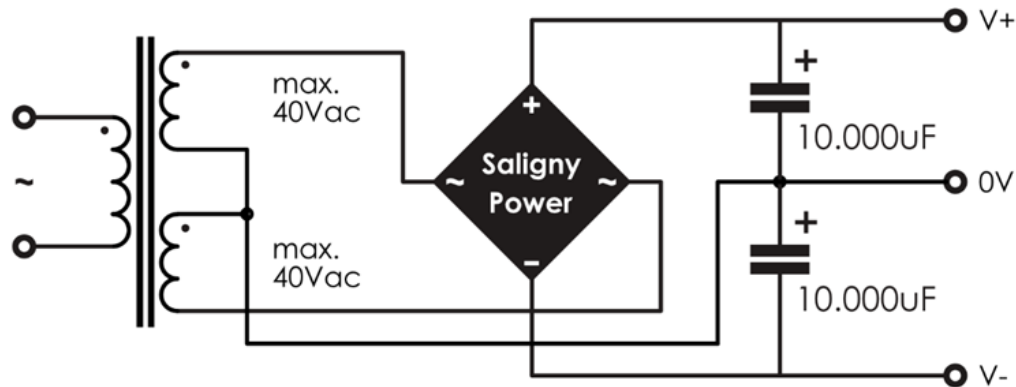


For more information see <https://evotronix.eu/>

Variant D - Symmetric power supply with 4 secondaries for high voltage differential

For more information see <https://evotronix.eu/>

Variant E - center tapped full wave rectification, for differential power supply.



EXTERNAL RESOURCES

- [Active rectification on wikipedia](#)
- [Synchronous rectification in high-power converter design by TI](#)

SALES INFORMATION

Evolectron SRL, Romania
 Ana Ipătescu nr. 71, Ploiești, 100337
office@evotronix.eu info@evotronix.eu
 +407 5 230 3791

EU VAT: R040877103
 CIF: J29/1396/2019

DOCUMENT HISTORY

Document version	Date	Description
1.0	2023-05-14	Initial release
1.1	2023-09-07	Add notice in the "Implementation" section

For more information see <https://evotronix.eu/>